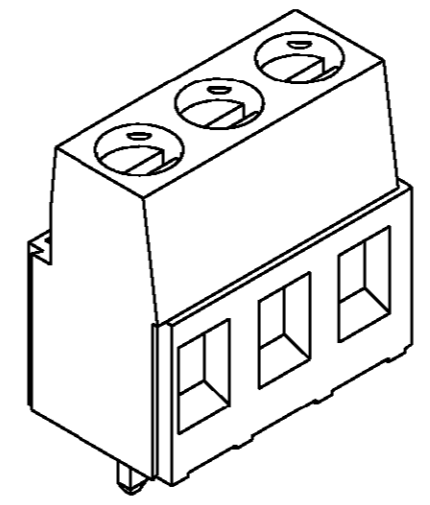
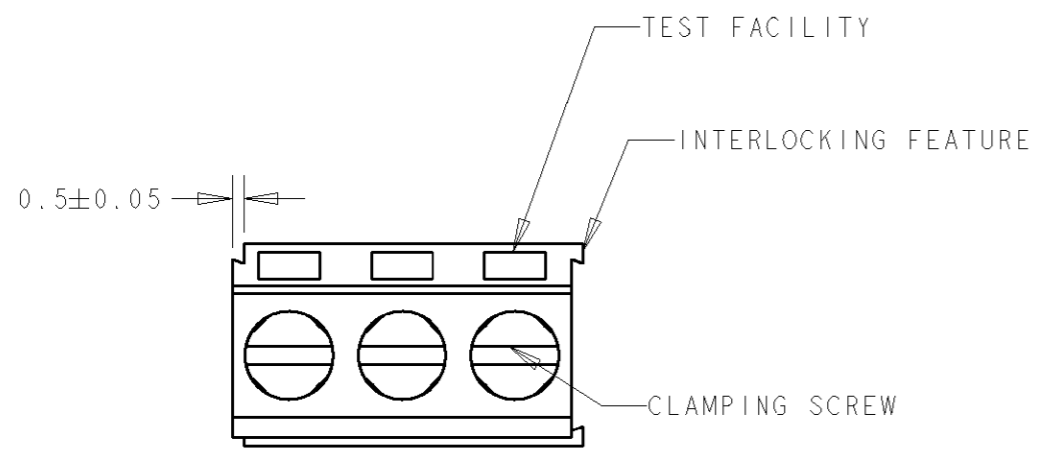
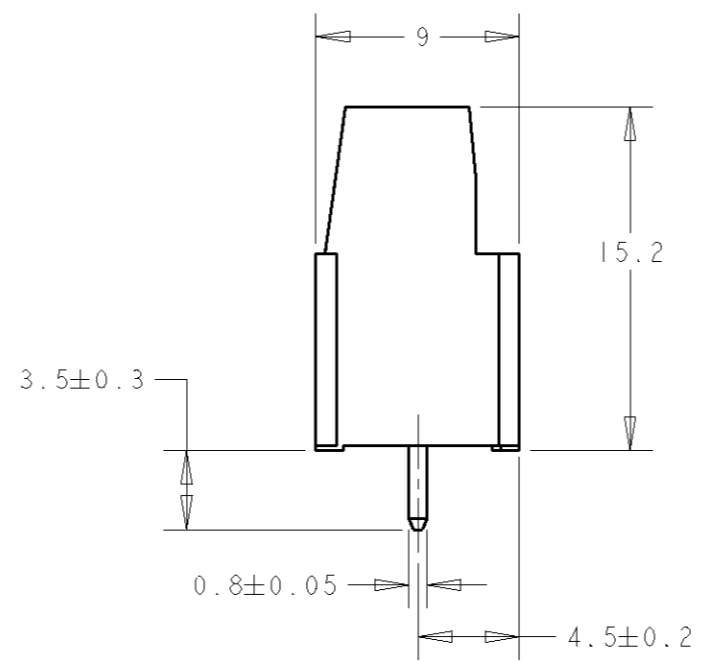
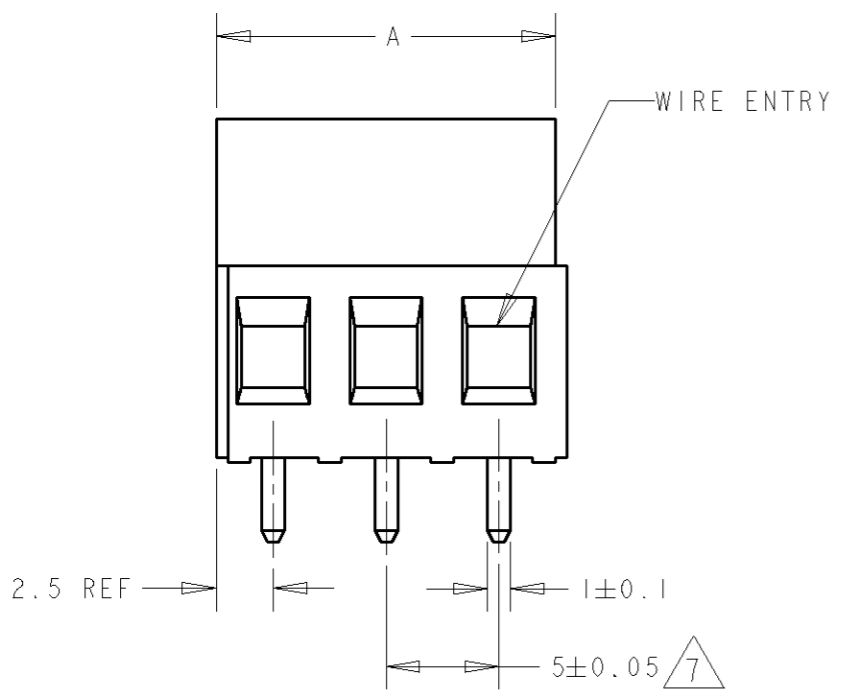


THIS DRAWING IS UNPUBLISHED. RELEASED FOR PUBLICATION 20  
 © COPYRIGHT 20 BY TYCO ELECTRONICS CORPORATION. ALL RIGHTS RESERVED.

LOC	DIST	REVISIONS				
P	LTR	DESCRIPTION	DATE	DWN	APVD	
FT	0	A	RELEASED	05OCT2001	EZ	DB



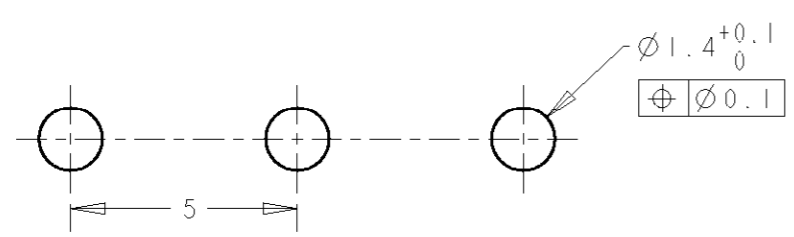
796682-3 AS SHOWN



130	25	2-796682-5
120	24	2-796682-4
115	23	2-796682-3
110	22	2-796682-2
105	21	2-796682-1
100	20	2-796682-0
95	19	1-796682-9
90	18	1-796682-8
85	17	1-796682-7
80	16	1-796682-6
75	15	1-796682-5
70	14	1-796682-4
65	13	1-796682-3
60	12	1-796682-2
55	11	1-796682-1
50	10	1-796682-0
45	9	796682-9
40	8	796682-8
35	7	796682-7
30	6	796682-6
25	5	796682-5
20	4	796682-4
15	3	796682-3
10	2	796682-2

DIM. A N° OF POS. PART NUMBER

RECOMMENDED PC BOARD LAYOUT



<small>THIS DRAWING IS A CONTROLLED DOCUMENT FOR TYCO ELECTRONICS CORPORATION          IT IS SUBJECT TO CHANGE AND THE CONTROLLING ENGINEERING ORGANIZATION          SHOULD BE CONTACTED FOR THE LATEST REVISION.</small>		DWN 05APR2001 E. ZANOLINI CHK 05APR2001 D. BIEVENOUR APVD 05APR2001 D. BIEVENOUR		<b>BUCHANAN</b> Tyco Electronics Harrisburg, PA 17105-3608	
DIMENSIONS: mm		TOLERANCES UNLESS OTHERWISE SPECIFIED: 0 PLC ±. 1 PLC ±.3 2 PLC ±.25 3 PLC ±. 4 PLC ±. ANGLES ±2		NAME TERMINAL BLOCK PCB MOUNT, SIDE ENTRY WIRE, STACKING W/ INTERLOCK, 5mm PITCH.	
MATERIAL 		FINISH 		PRODUCT SPEC 108-20166 APPLICATION SPEC 114-20079 WEIGHT -	
CUSTOMER DRAWING				SIZE A3 CAGE CODE 00779 DRAWING NO. C-796682 RESTRICTED TO -	
				SCALE 3:1 SHEET 1 OF 2 REV A	

4

3

2

1

THIS DRAWING IS UNPUBLISHED. RELEASED FOR PUBLICATION 20  
 © COPYRIGHT 20 BY TYCO ELECTRONICS CORPORATION. ALL RIGHTS RESERVED.

LOC	DIST	REVISIONS					
		P	LTR	DESCRIPTION	DATE	DWN	APVD
FT	0	-	-	SEE SHEET 1	-	-	-



MATERIALS AND FINISH  
 HOUSING: PA 6-6, UL 94-V0.  
 COLOR: BLACK  
 CLAMP: BRASS, NICKEL PLATED.  
 TERMINAL: BRASS, TIN PLATED.  
 CLAMPING SCREW: M3, BRASS, NICKEL PLATED.

- 2 SUITABLE FOR 1,6-2,4mm. PCB THICKNESS.
- 3 END-TO-END STACKABLE W/INTERLOCK WITHOUT LOSS OF CENTERLINE SPACING.
- 4 WIRE SIZE RANGE  
 SOLID WIRE: 0,03-2,5mm (13AWG)  
 STRANDED WIRE: 0,03-1,5mm (15AWG)
- 5 RECOGNIZED UNDER THE COMPONENT PROGRAM OF UNDERWRITERS LABORATORIES INC. FILE N° E60677.
- 6 IMO CERTIFICATE WITH SURVEILLANCE IN CONFORMITY WITH IEC 998-1/998-2-1.



NOT CUMULATIVE TOLERANCE.

<small>THIS DRAWING IS A CONTROLLED DOCUMENT FOR TYCO ELECTRONICS CORPORATION          IT IS SUBJECT TO CHANGE AND THE CONTROLLING ENGINEERING ORGANIZATION          SHOULD BE CONTACTED FOR THE LATEST REVISION.</small>		DWN 05APR2001 E. ZANOLINI		<b>BUCHANAN</b> Tyco Electronics Harrisburg, PA 17105-3608	
DIMENSIONS: mm		TOLERANCES UNLESS OTHERWISE SPECIFIED: 0 PLC ±- 1 PLC ±- 2 PLC ±- 3 PLC ±- 4 PLC ±- ANGLES ±-		NAME TERMINAL BLOCK PCB MOUNT, SIDE ENTRY WIRE, STACKING W/ INTERLOCK, 5mm PITCH.	
		PRODUCT SPEC -		SIZE CAGE CODE DRAWING NO RESTRICTED TO A3 00779 C-796682 -	
MATERIAL -		FINISH -		APPLICATION SPEC -	
		WEIGHT -		CUSTOMER DRAWING SCALE - SHEET 2 OF 2 REV A	